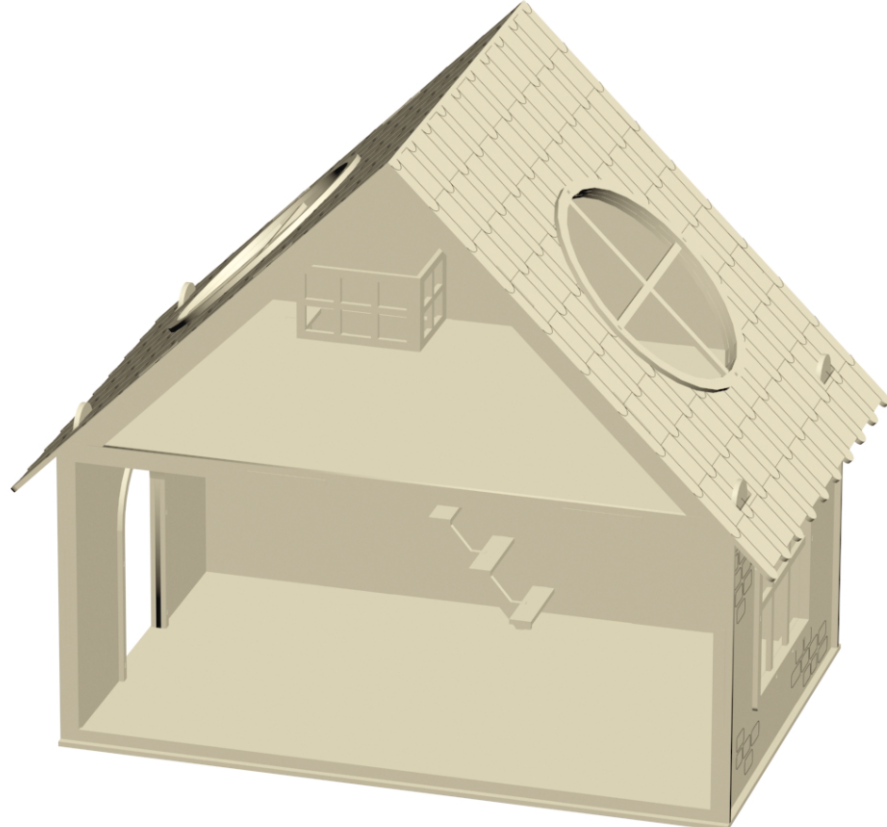
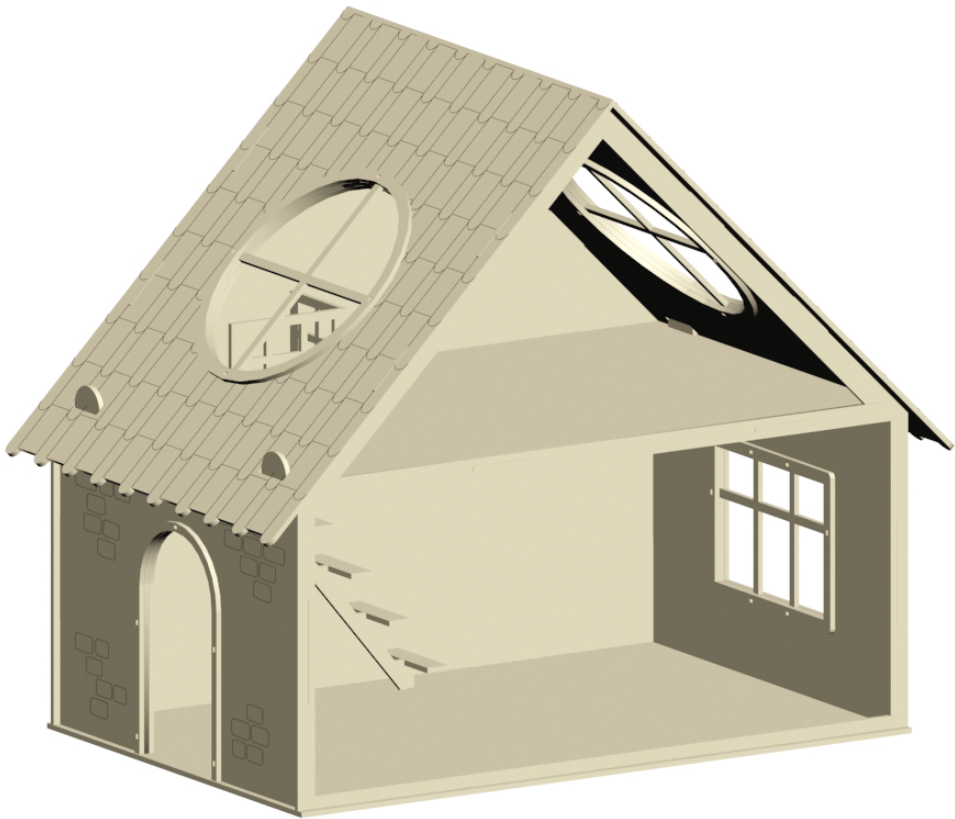
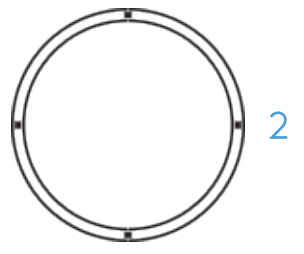


2 floor HOUSE



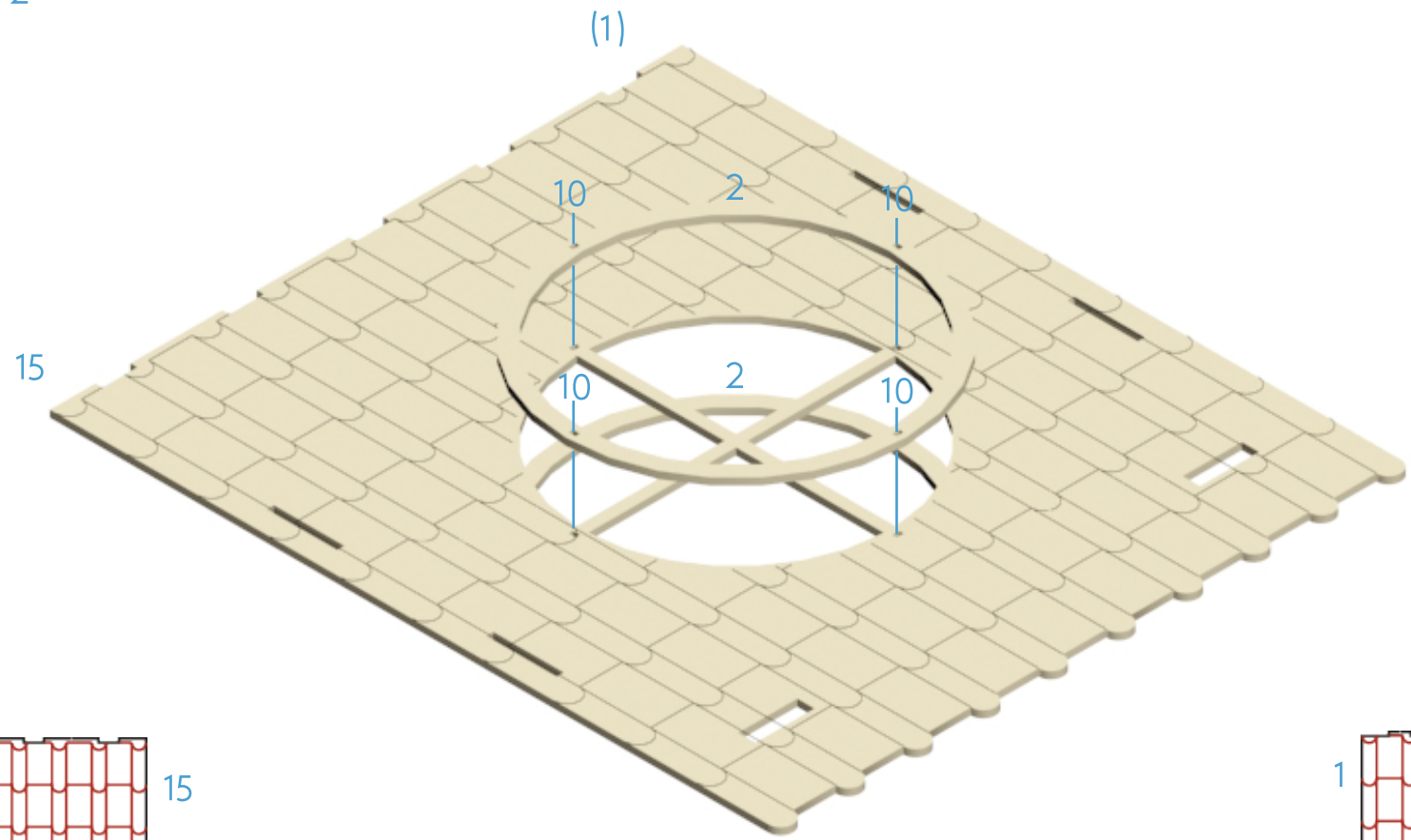
3mm
thickness

Scale=1:10

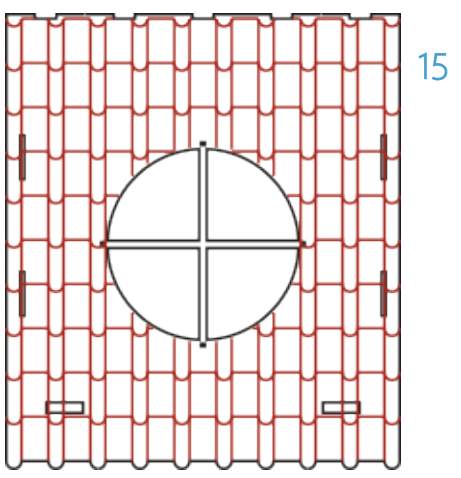


Scale=1:1

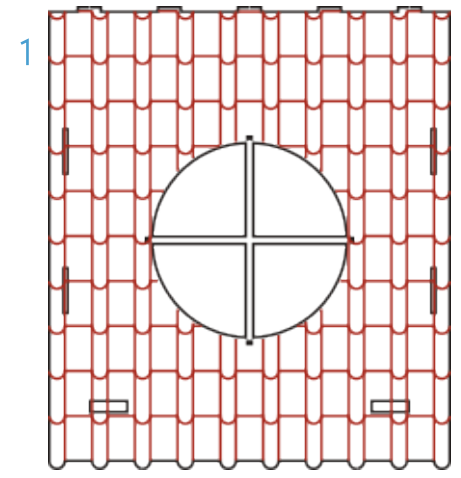
10



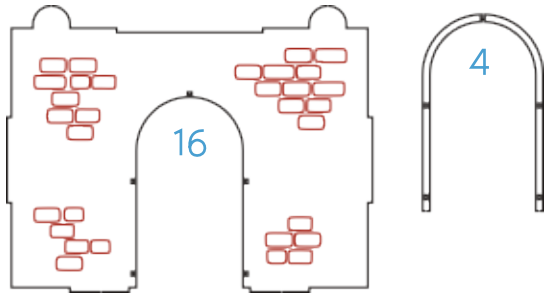
Scale=1:10



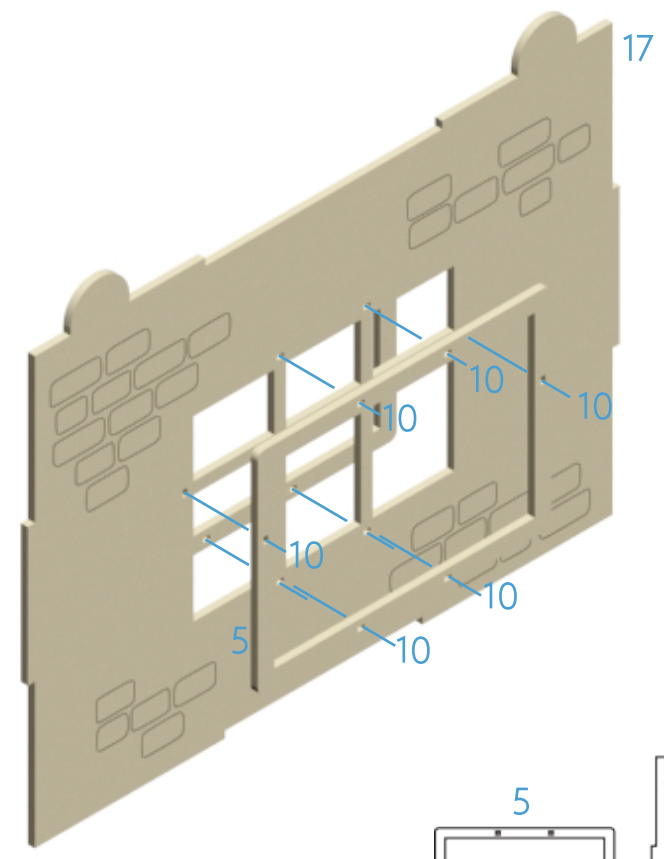
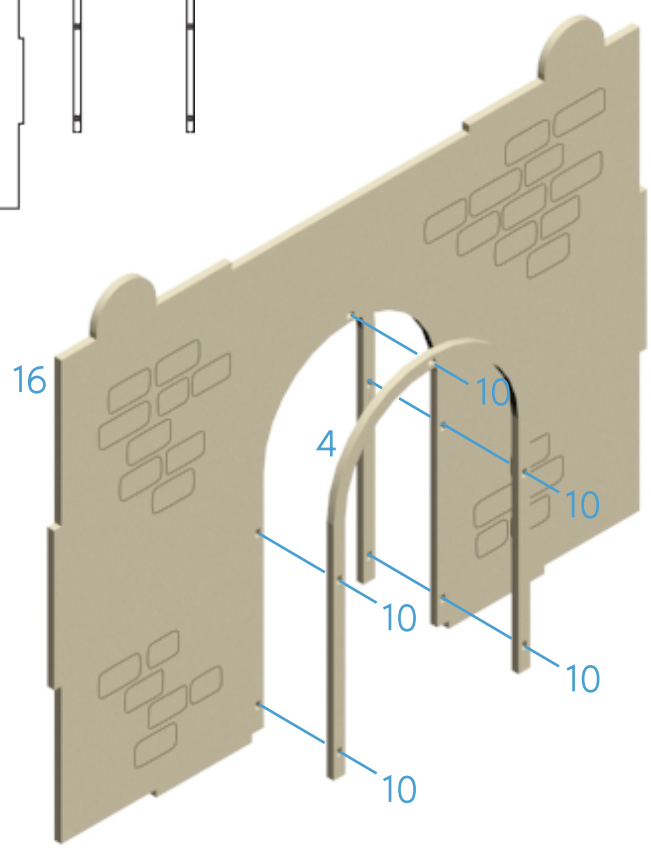
Scale=1:10



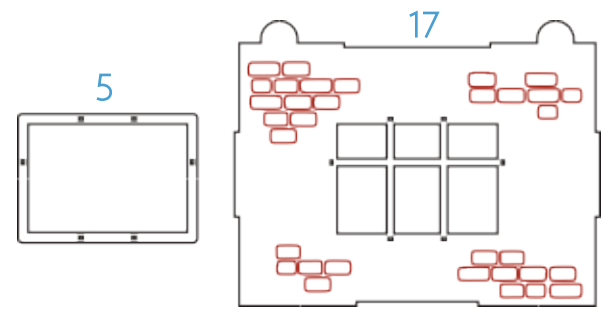
Scale=1:10



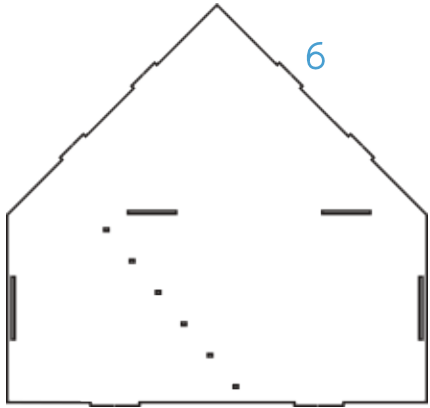
Scale=1:1



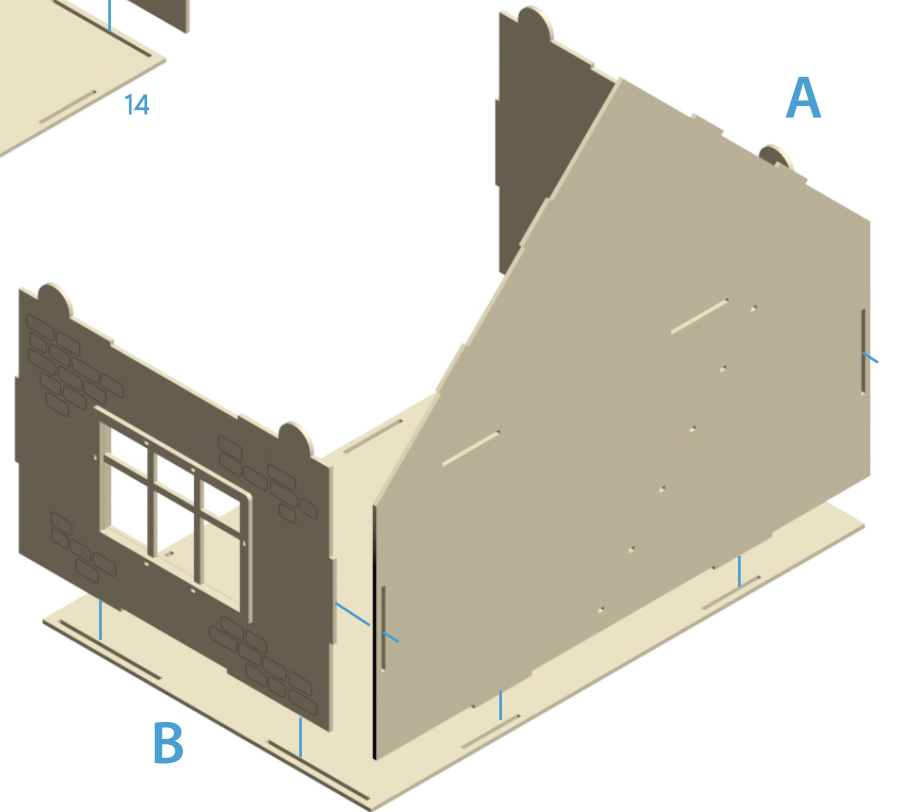
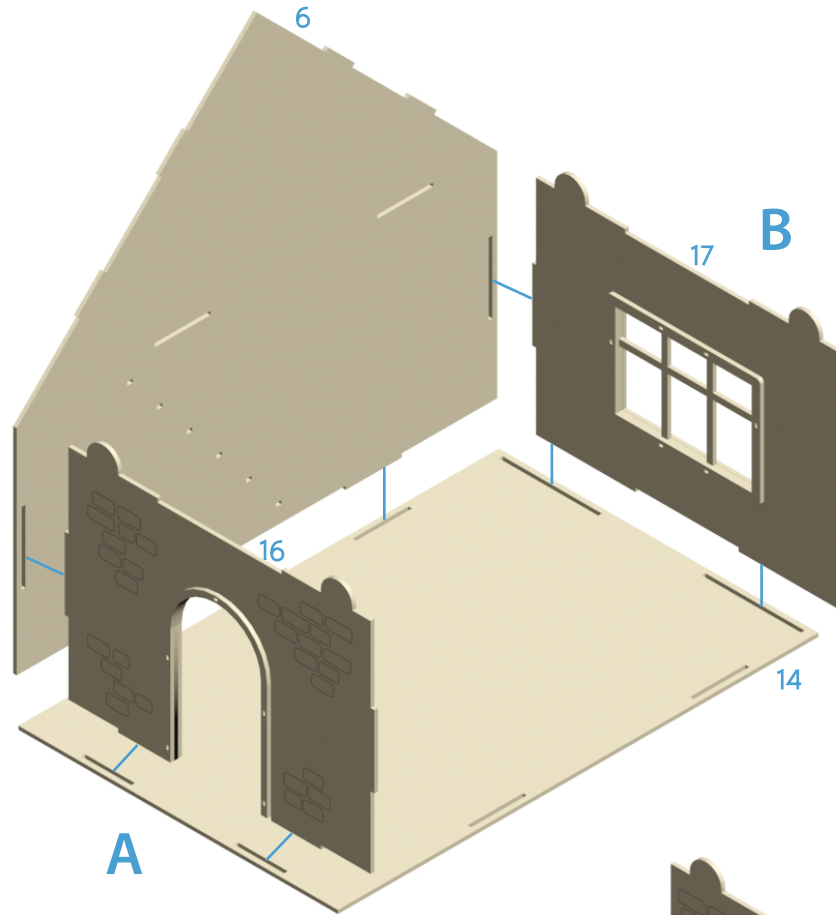
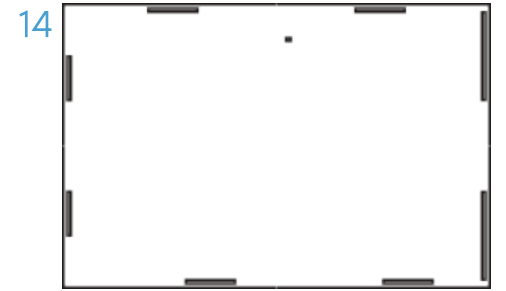
Scale=1:10



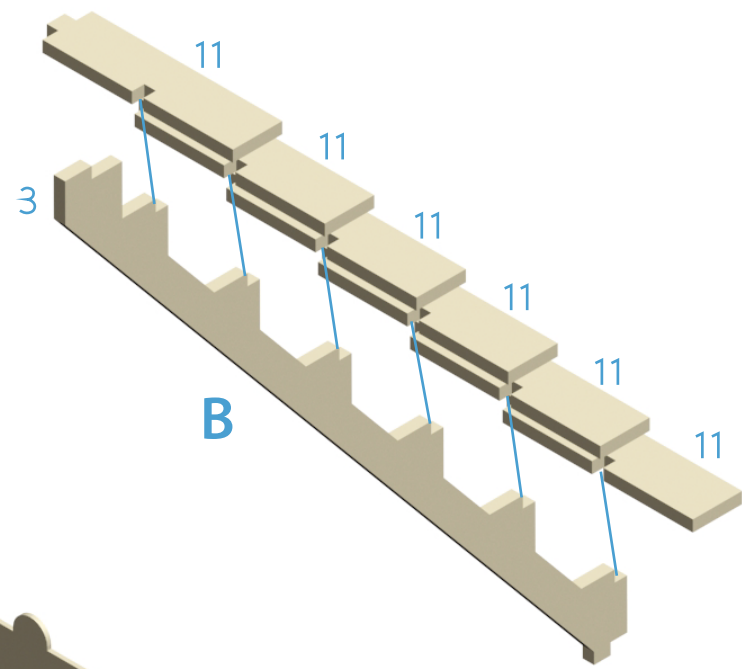
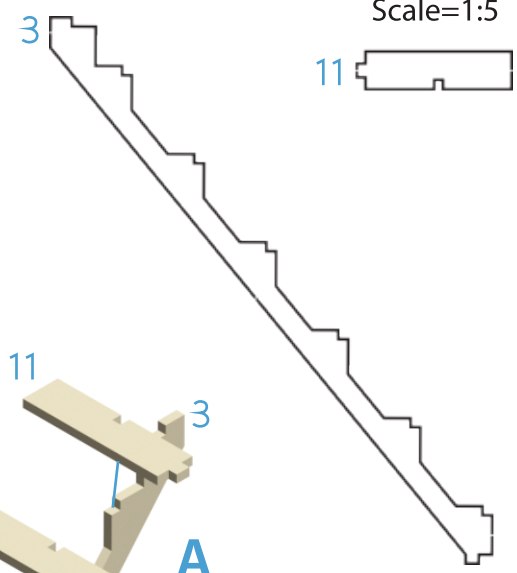
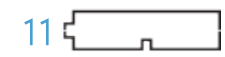
Scale=1:10



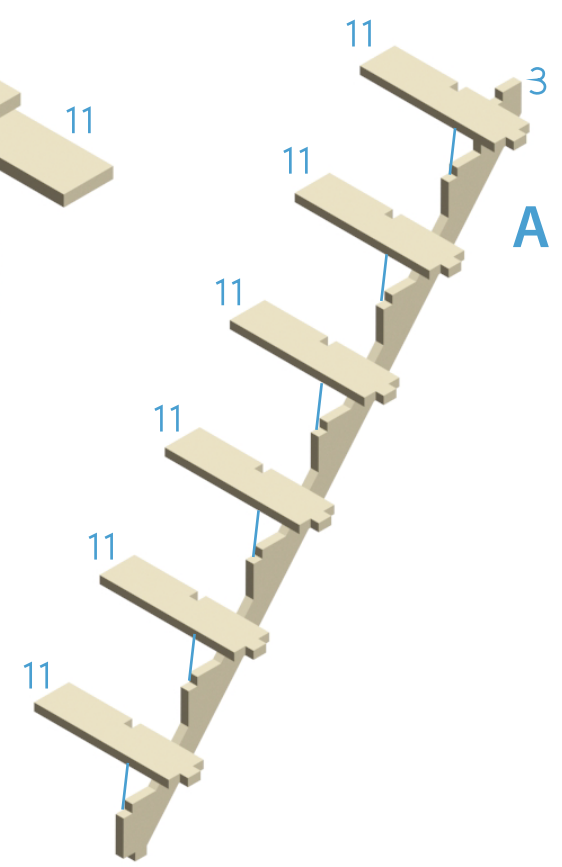
Scale=1:1 ⁴



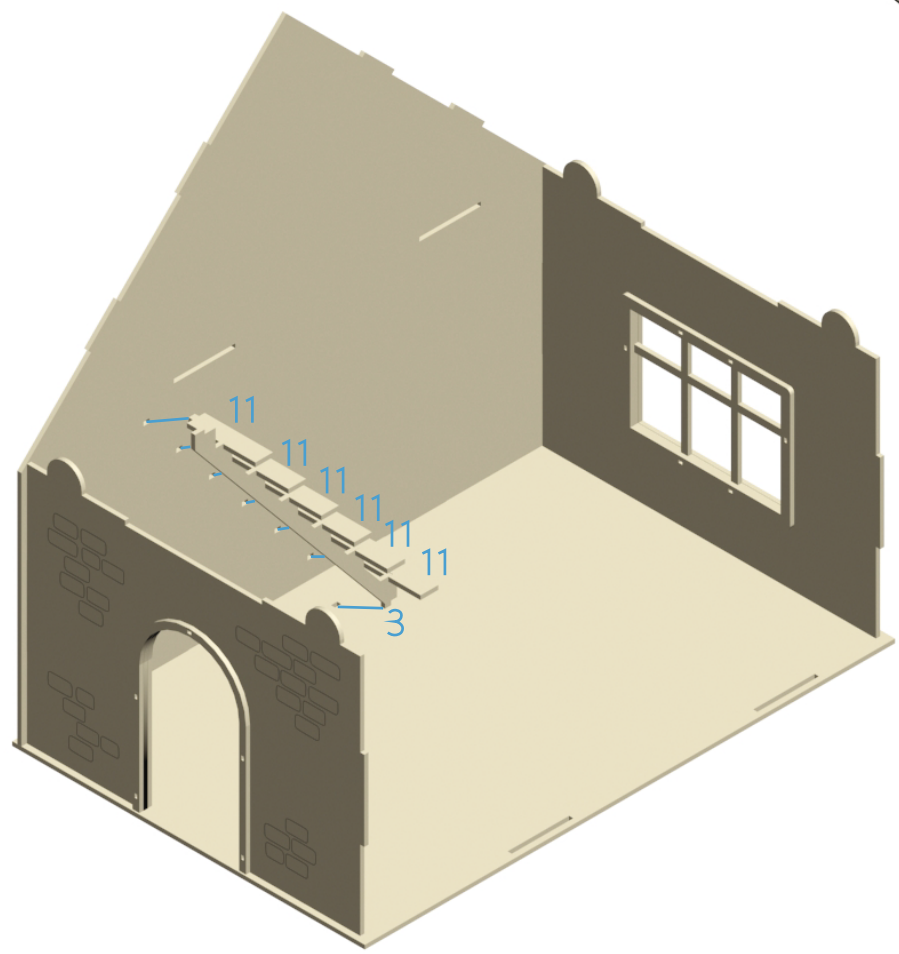
Scale=1:5



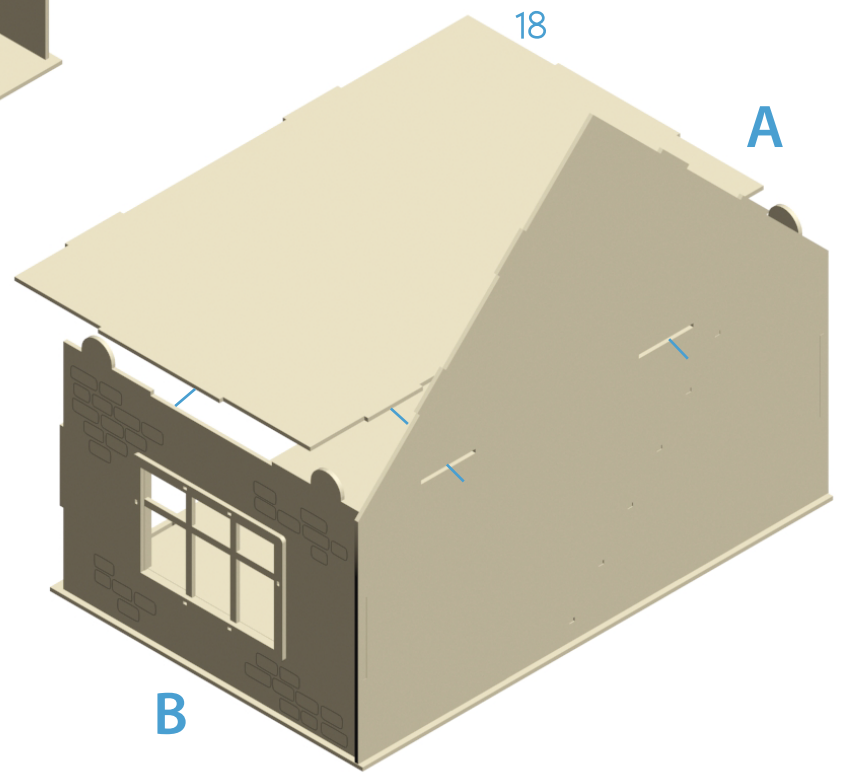
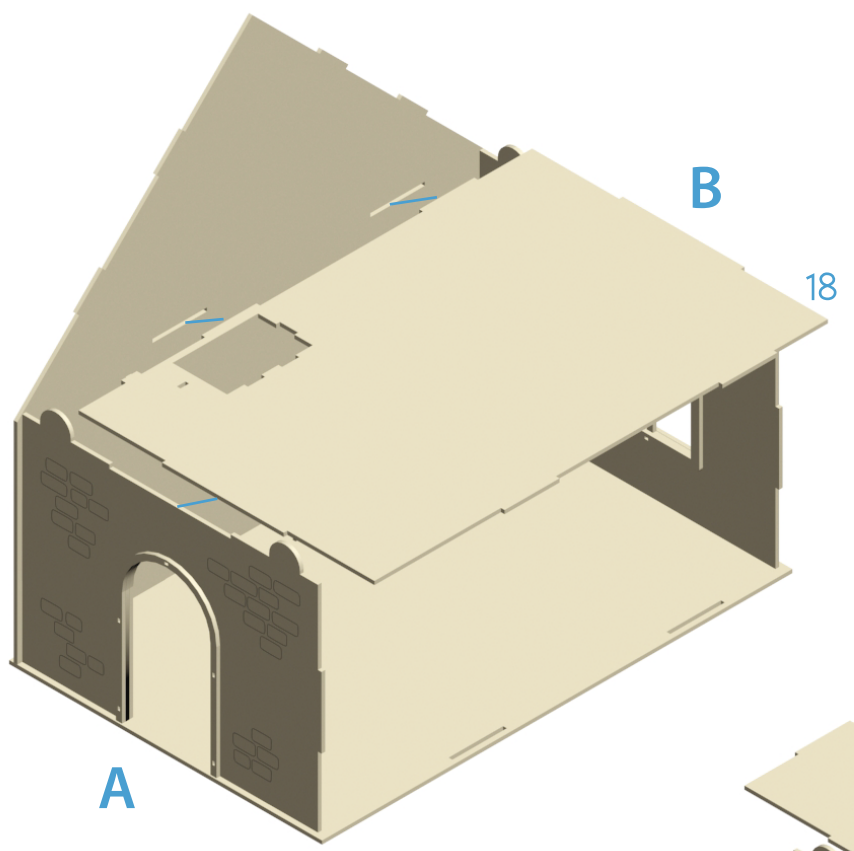
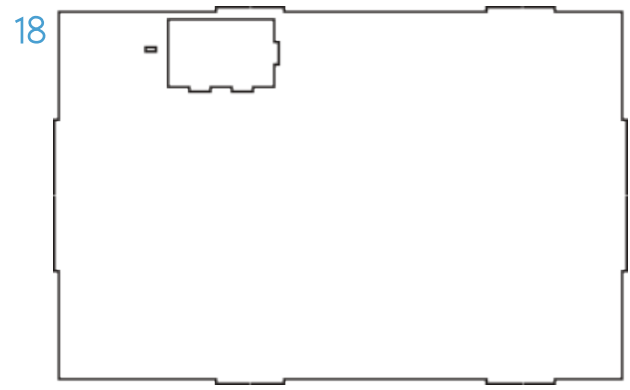
B

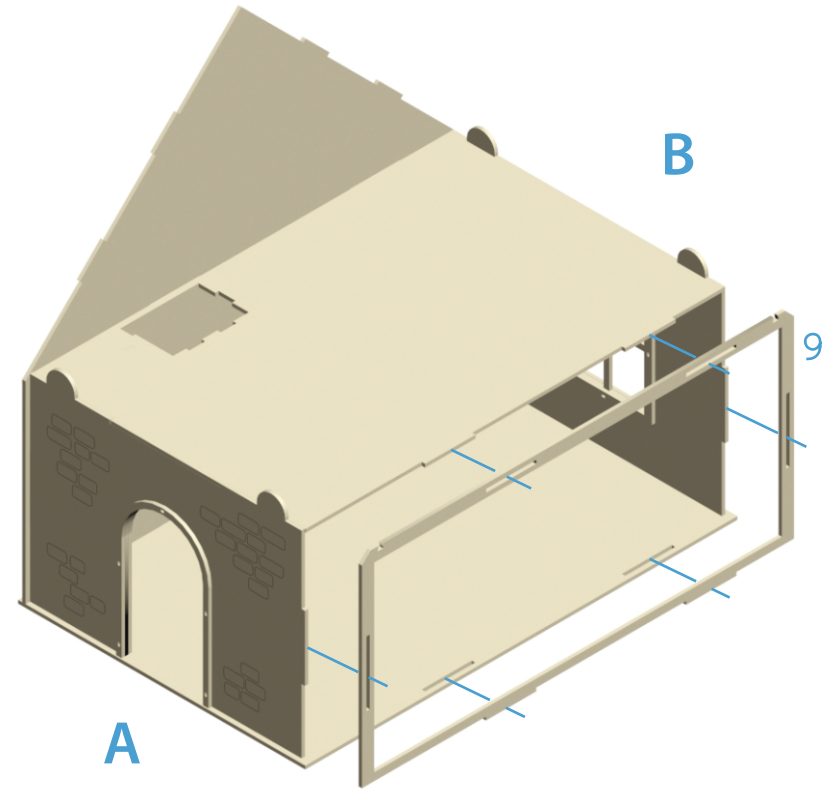
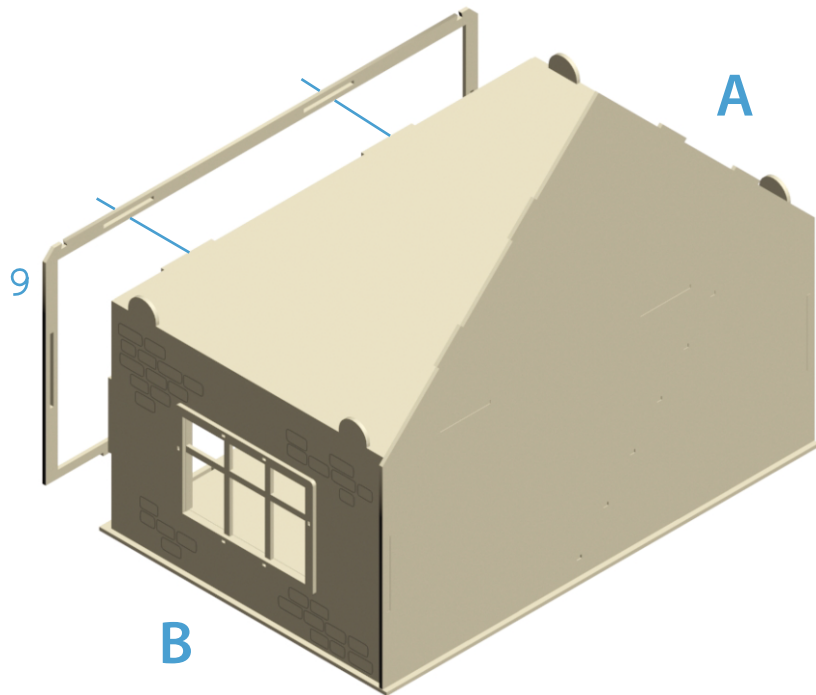
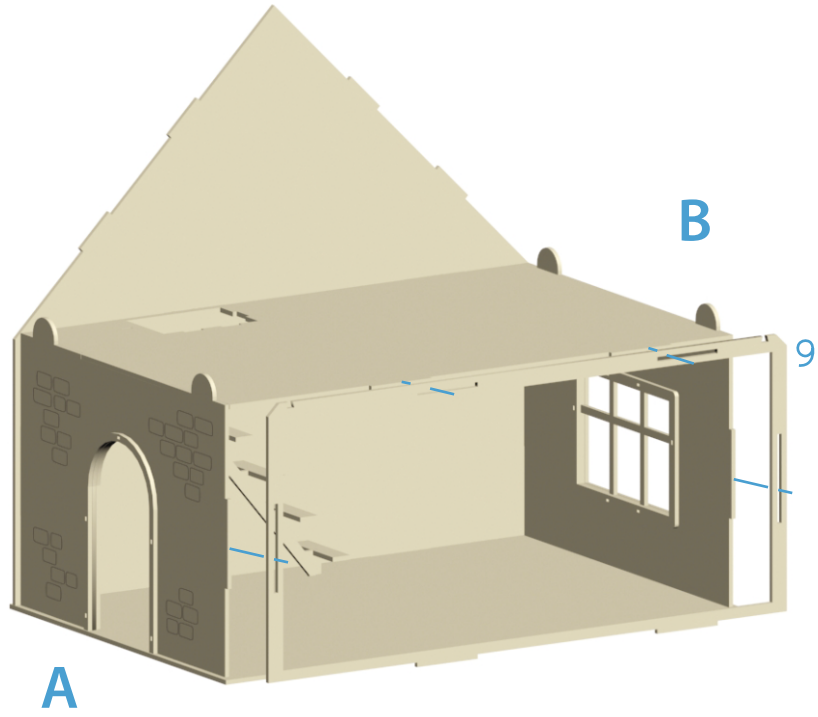


A

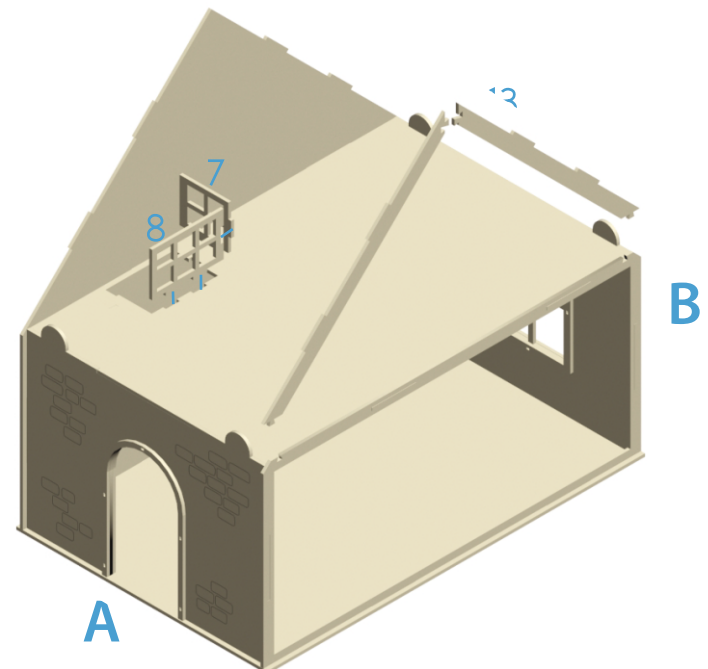
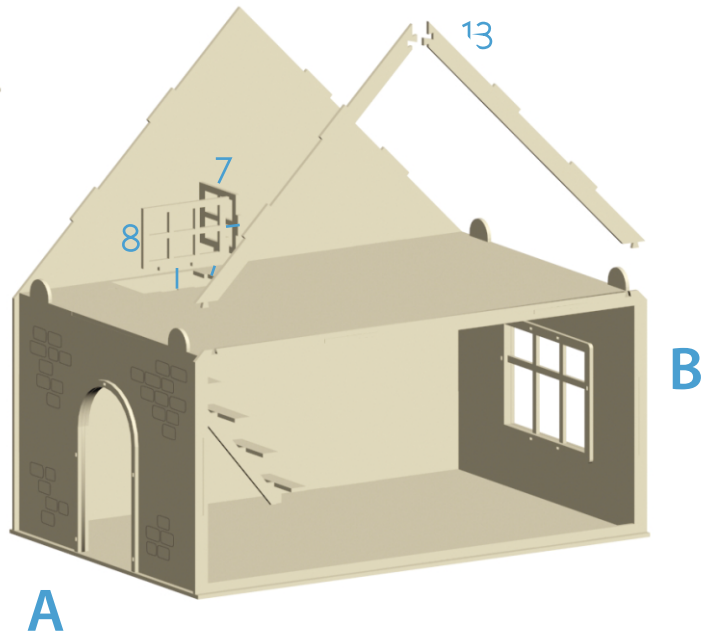
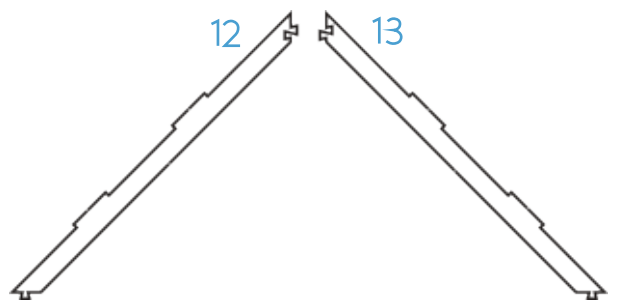
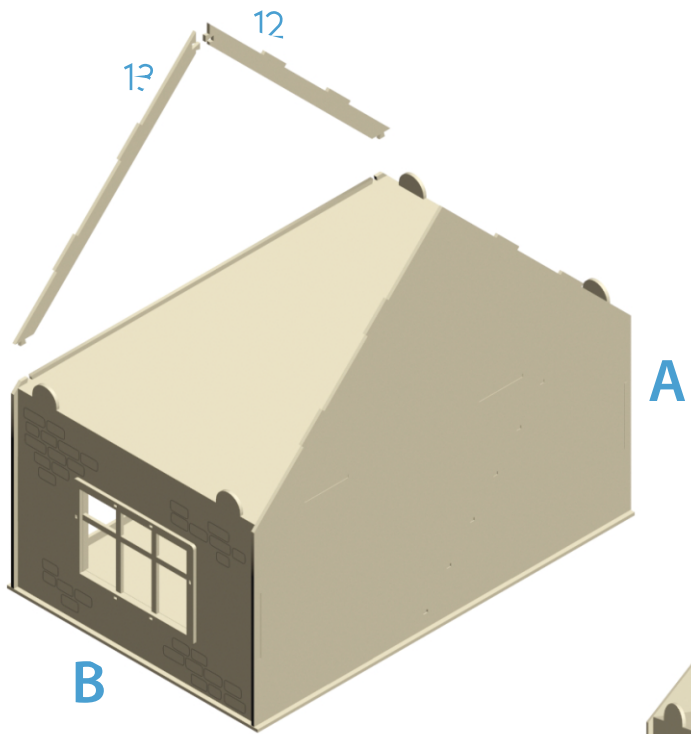


Scale=1:10

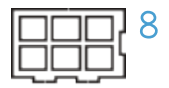




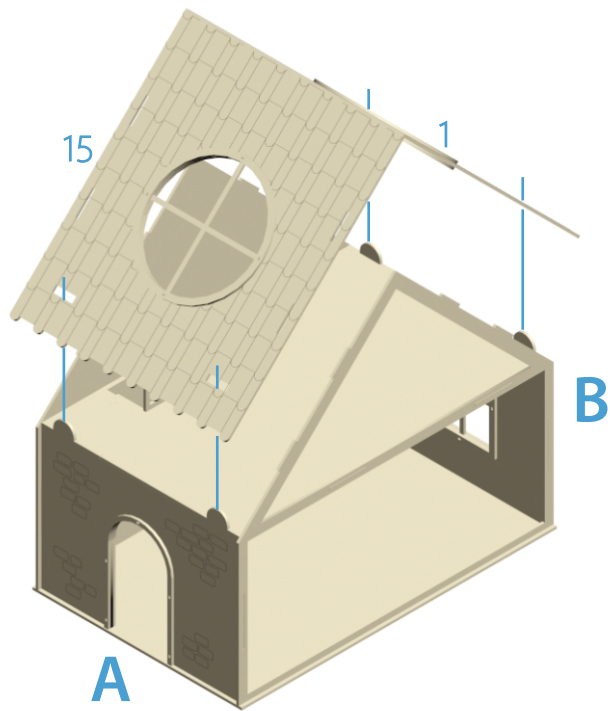
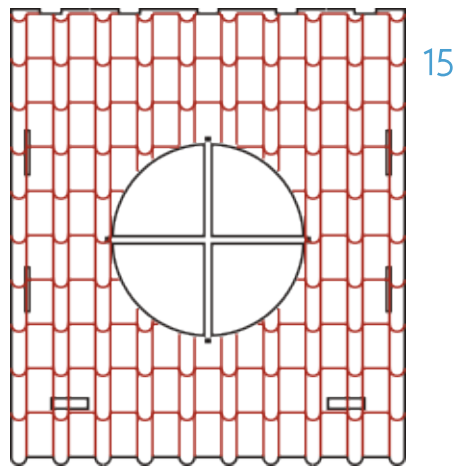
Scale=1:10 **8**



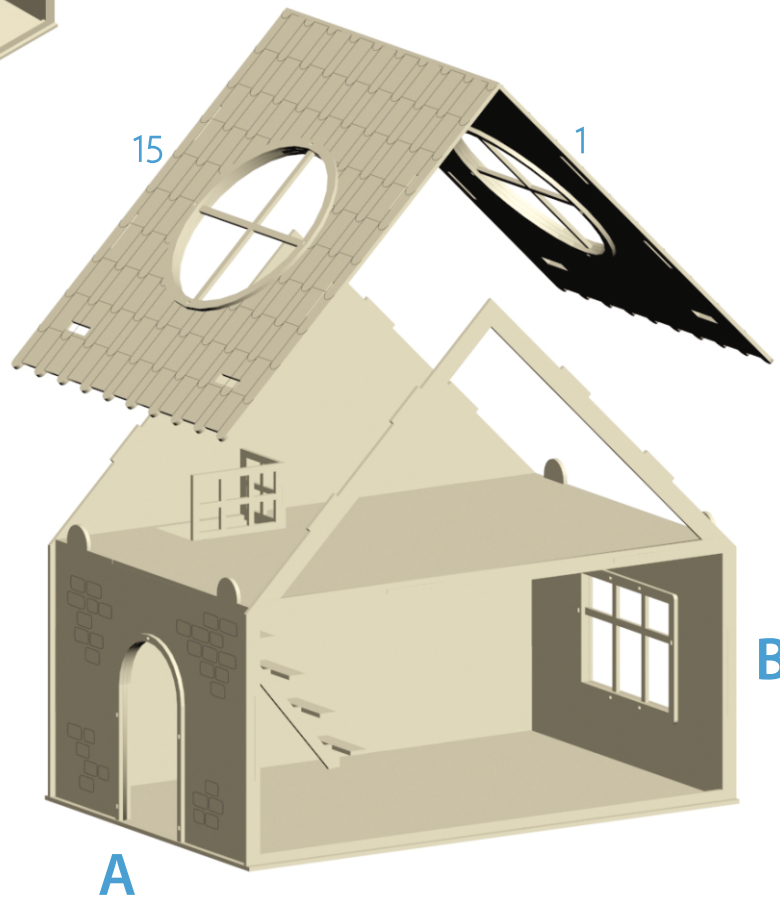
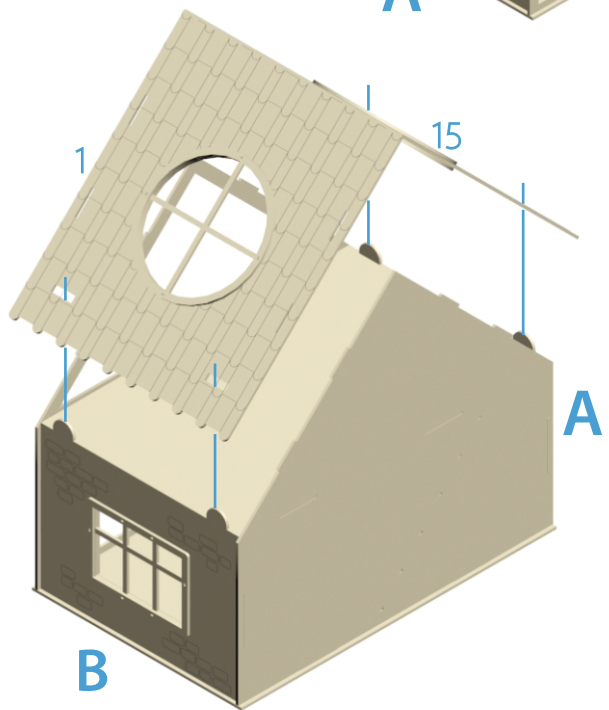
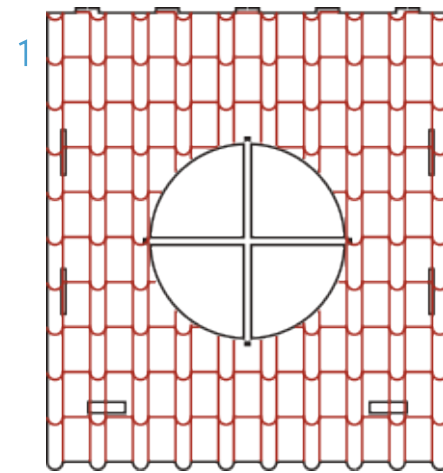
Scale=1:10

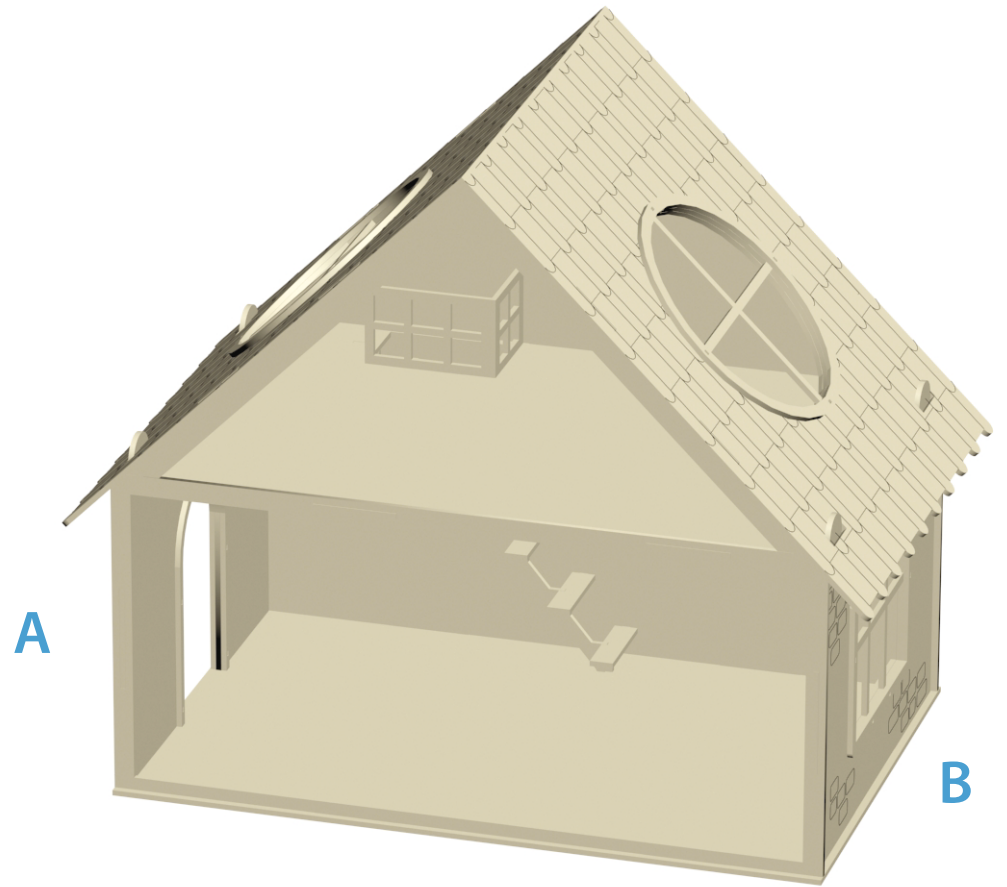
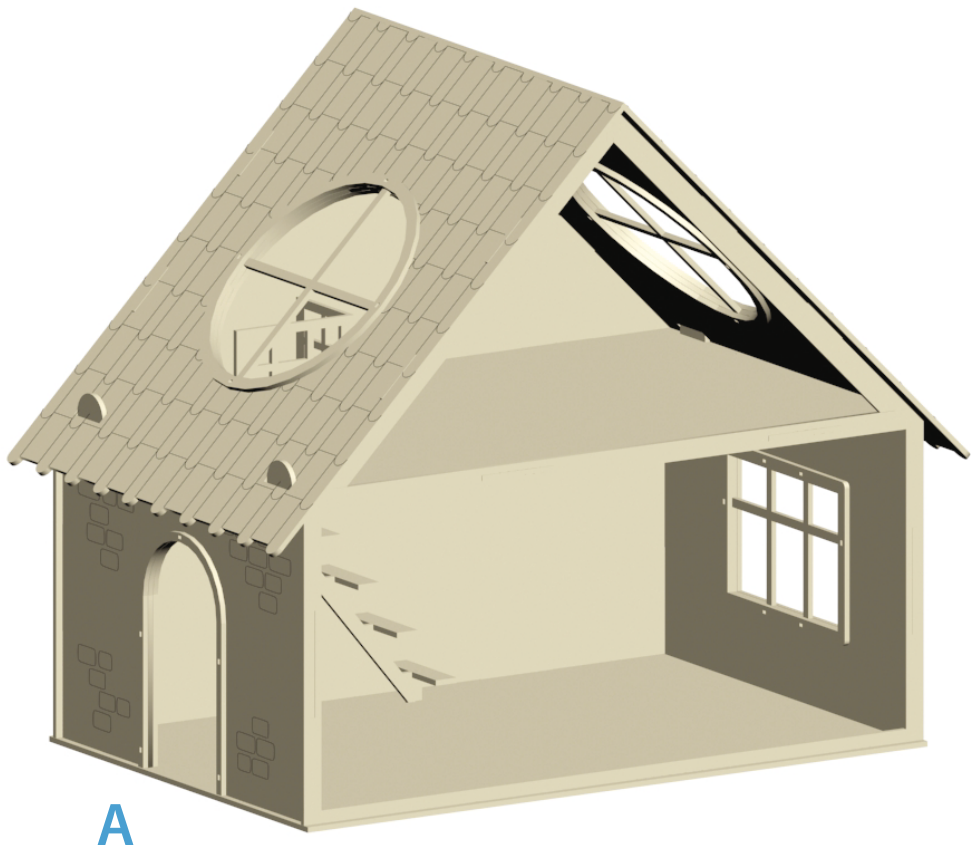


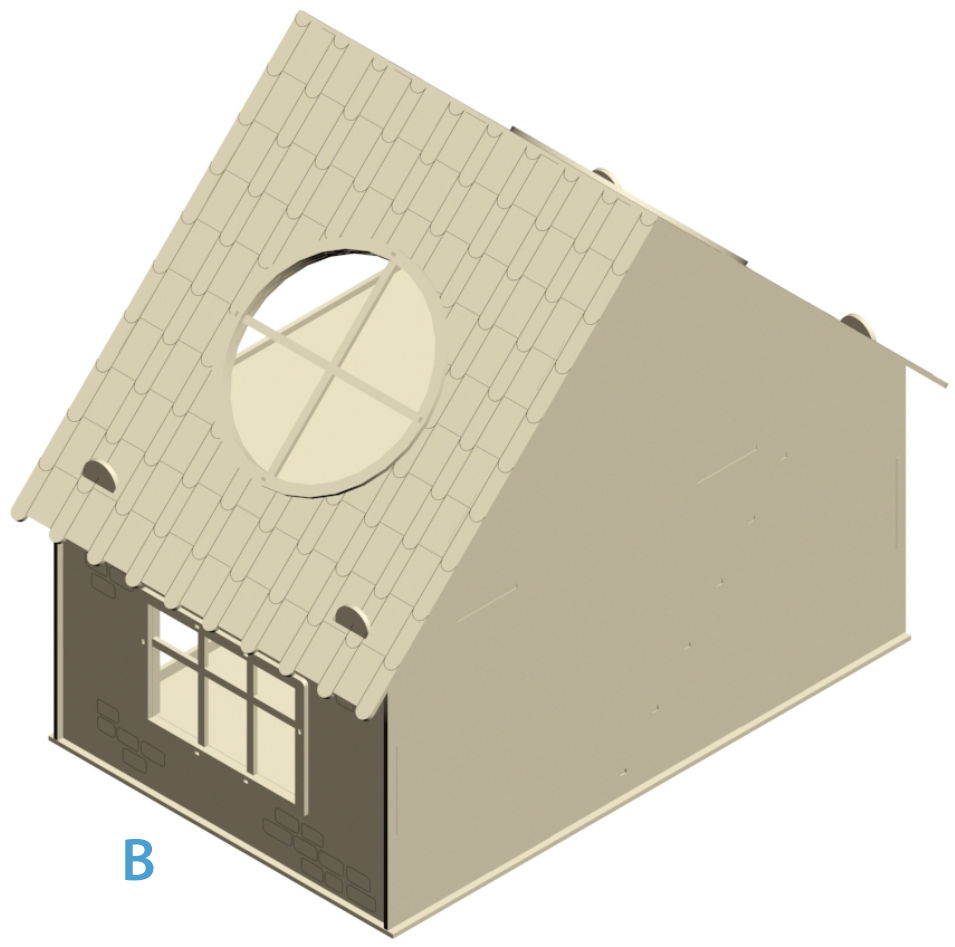
Scale=1:10



Scale=1:10

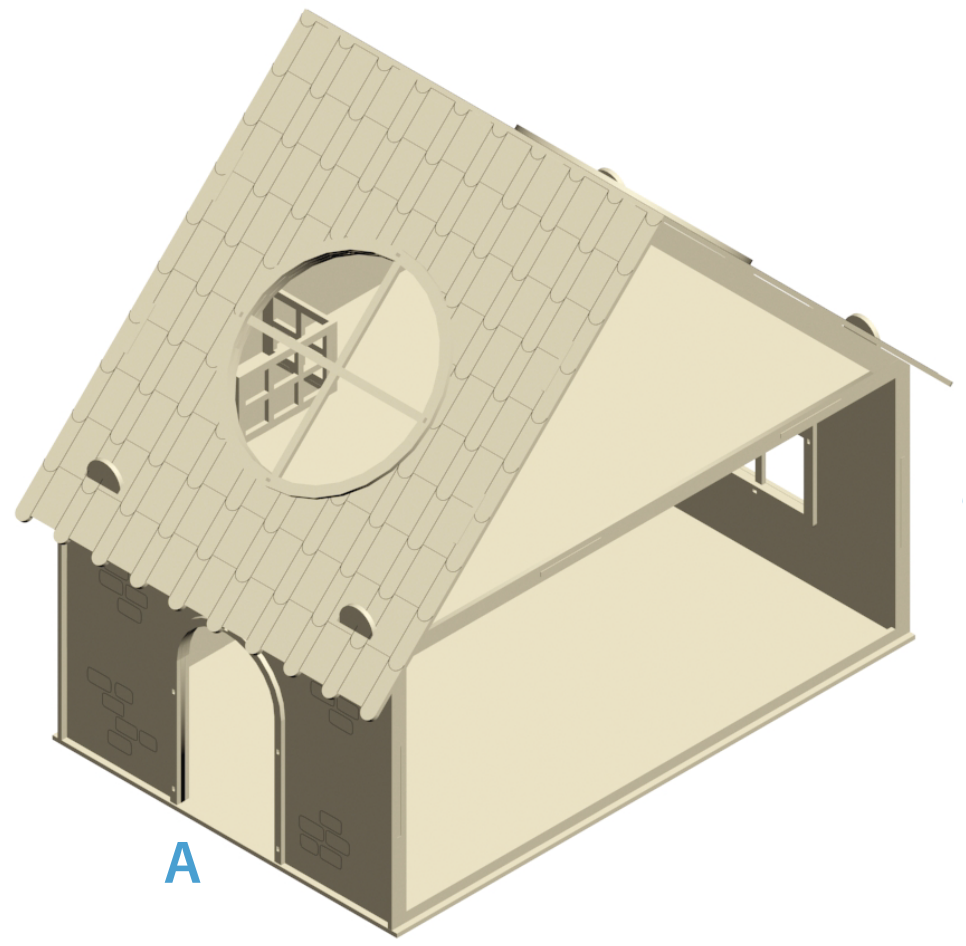






A

B



A

B

